

2 - SPRING CABLE DRUM BALANCER INSTALLATION INSTRUCTIONS

STEP #1 LOCATE CENTER OF OPENING ON HEADER, MEASURE "Y" ALONG HEADER EACH SIDE OF CENTER LINE FOR A TOTAL OF "X" BETWEEN END BRACKETS FACES. LOCATE END BRACKETS ON HEADER WITH SHORT LEG OF BRACKET POINTING AWAY FROM DOOR OPENING. BRACKETS SHOULD BE LOCATED AS HIGH AS POSSIBLE ON HEADER WITH TRIANGLE-SHAPED PORTION OF BRACKET UP TO ROOF OR LINER OF BODY. MAKE SURE FACE OF BRACKET IS PERPENDICULAR TO BOTTOM OF HEADER. WELD OR BOLT SHORT LEG OF BRACKETS SECURELY TO HEADER.

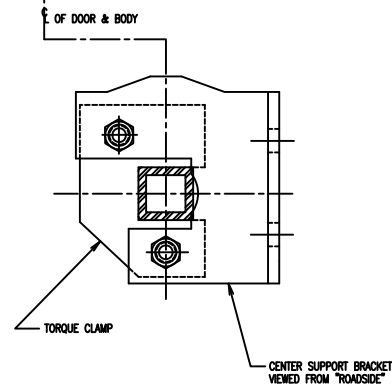
STEP #2 LOCATE CENTER BRACKET (WITH OPEN SLOT) WITH BRACKET FACE RIGHT ON CENTER LINE OF OPENING AND SHORT LEG POINTING TOWARD ROADSIDE OF BODY. LOCATE BRACKET VERTICALLY IN LINE WITH BOTH END BRACKETS. WELD OR BOLT SHORT LEG OF CENTER BRACKET SECURELY TO HEADER.

STEP #3 LOOSEN SET SCREWS IN SPRING ANCHOR PLUGS SO THAT SPRING ASSEMBLIES WILL SLIDE ON BALANCER SHAFT. (DO NOT REMOVE.) ONE END OF BALANCER SHAFT HAS (2) SMALL HOLES. SLIDE OPPOSITE END OF BALANCER SHAFT THROUGH CURBSIDE BRACKET FAR ENOUGH TO ENTER OTHER END INTO ROADSIDE BRACKET. INSERT ONE COTTER PIN THROUGH SHAFT ON EACH SIDE OF ROADSIDE BRACKET AND SPREAD LEGS OF COTTER PIN. TEMPORARILY INSTALL TORQUE CLAMP TO CENTER BRACKET.

STEP #4 CLAMP DOOR UP IN HORIZONTAL TRACK WITH BOTTOM EDGE OF DOOR ABOUT 16" BACK FROM HEADER. UNCOIL CABLES ATTACHED TO DOOR. ENTER LOOSE END OF ONE CABLE INTO SLOT IN OPEN END OF CABLE DRUM. KINK CABLE SHARPLY TO FOLLOW FIRST GROOVE IN DRUM. MAINTAIN ENOUGH TENSION ON CABLE TO FOLLOW INTO CABLE GROOVES SNUGLY AS YOU WIND THE ENTIRE SPRING ASSEMBLY SO THAT CABLE WINDS ON DRUM FROM UNDER SIDE. WITH ALL THE LOOSE CABLE TAKEN UP ON ONE DRUM, CONTINUE TO ROTATE SPRING ANCHOR BY HAND TO PUT SOME TENSION ON CABLE. SLIDE SPRING ASSEMBLY ALONG SHAFT UNTIL CABLE COMING OFF BOTTOM OF DRUM IS IN LINE WITH CABLE ANCHOR ON DOOR. TIGHTEN SET SCREWS. REPEAT THIS OPERATION FOR OTHER END OF BALANCER.

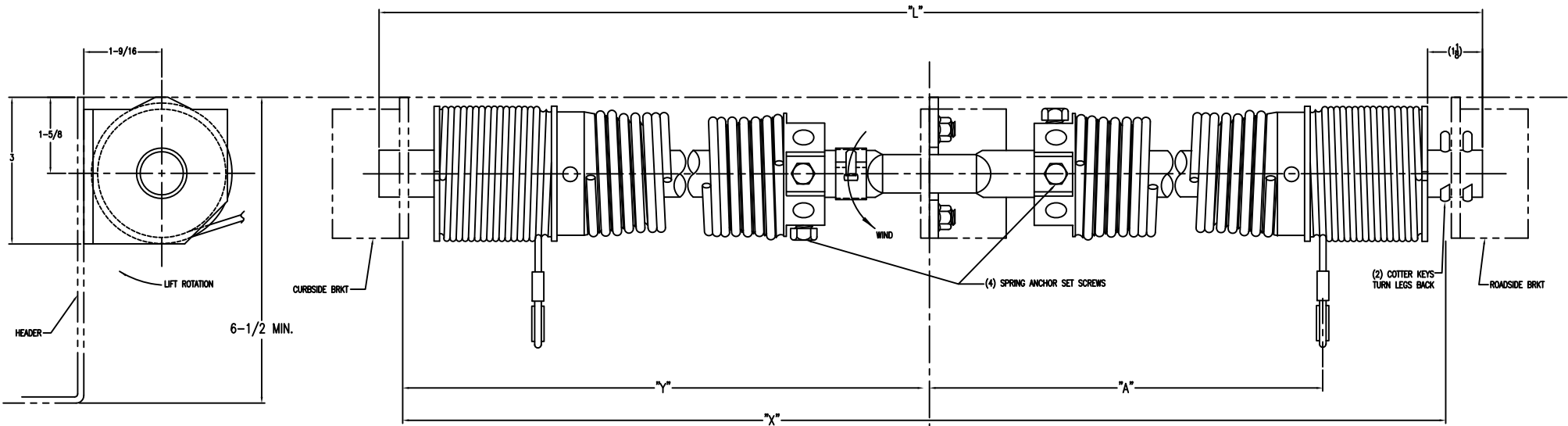
STEP #5 TO CHARGE SPRINGS, USE (2) RODS 3/8" DIA., 10" LONG. INSERT ONE ROD IN ONE OF THE SPRING PLUGS AND PULL DOWNWARD TO HOLD TORQUE. REMOVE TORQUE CLAMP FROM CENTER BRACKET. WIND ENTIRE BALANCER DOWNWARD. USING (2) RODS WALK SPRING PLUGS AND SHAFT AROUND (4) FULL TURNS HAVE BEEN APPLIED TO SHAFT. WHILE HOLDING TORQUE WITH ROD REPLACE TORQUE CLAMP IN CENTER BRACKET AND SECURE WITH HEX NUTS. UNCLAMP DOOR AND TRY FOR BALANCE. IF FURTHER ADJUSTMENT IS NECESSARY, FOLLOW ABOVE INSTRUCTIONS.

NOTE: IT IS ALSO POSSIBLE TO CHARGE THE BALANCER USING 13/16" OPEN END WRENCHES ON SQUARE CENTER PORTION OF THE SHAFT.



"L" SHAFT LENGTH	"X" SHAFT LENGTH -1-1/4	"Y" 1/2 "X" DIM.	"A" CABLE ANCHOR ON DOOR
87	85-3/4	42-7/8	39-3/4
84	82-3/4	41-3/8	38-1/4
82	80-3/4	40-3/8	37-1/4
80	78-3/4	39-3/8	36-1/4
78	76-3/4	38-3/8	35-1/4
72	70-3/4	35-3/8	32-1/4
66	64-3/4	32-3/8	29-1/4
61	59-3/4	29-7/8	26-3/4

DATE	REV	DESCRIPTION OF CHANGE	DESIGNED BY	CHKD BY
3/29/07	A	CORRECTED ROD SIZE IN STEP #5		
TOLERANCES (EXCEPT AS NOTED)				
DECIMAL		GENERAL OFFICE: 113 CEDAR ST. ARLING, WY. 14001		
+-		"DEVELOPER OF THE FIRST PRACTICAL ROLL-UP DOOR IN 1857"		
FRACTION		SCALE: FULL APP. WY. DR. BY DCW		
+-		TITLE: #7176 (2) CABLE BALANCER INSTALLATION INSTRUCTIONS		
ANGULAR		DATE: 10/6/05		
+-		DWG. NO. D-16025		
		REV. A		

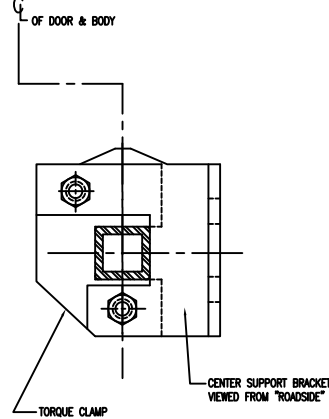


2 - SPRING CABLE DRUM BALANCER INSTALLATION INSTRUCTIONS

- STEP #1** LOCATE CENTER OF OPENING ON HEADER, MEASURE "Y" ALONG HEADER EACH SIDE OF CENTER LINE FOR A TOTAL OF "X" BETWEEN END BRACKETS FACES. LOCATE END BRACKETS ON HEADER WITH SHORT LEG OF BRACKET POINTING AWAY FROM DOOR OPENING. BRACKETS SHOULD BE LOCATED AS HIGH AS POSSIBLE ON HEADER WITH TRIANGLE-SHAPED PORTION OF BRACKET UP TO ROOF OR LINER OF BODY. MAKE SURE FACE OF BRACKET IS PERPENDICULAR TO BOTTOM OF HEADER. WELD OR BOLT SHORT LEG OF BRACKETS SECURELY TO HEADER.
- STEP #2** LOCATE CENTER BRACKET (WITH OPEN SLOT) WITH BRACKET FACE RIGHT ON CENTER LINE OF OPENING AND SHORT LEG POINTING TOWARD ROADSIDE OF BODY. LOCATE BRACKET VERTICALLY IN LINE WITH BOTH END BRACKETS. WELD OR BOLT SHORT LEG OF CENTER BRACKET SECURELY TO HEADER.
- STEP #3** LOOSEN SET SCREWS IN SPRING ANCHOR PLUGS SO THAT SPRING ASSEMBLIES WILL SLIDE ON BALANCER SHAFT. (DO NOT REMOVE.) ONE END OF BALANCER SHAFT HAS (2) SMALL HOLES. SLIDE OPPOSITE END OF BALANCER SHAFT THROUGH CURBSIDE BRACKET FAR ENOUGH TO ENTER OTHER END INTO ROADSIDE BRACKET. INSERT ONE COTTER PIN THROUGH SHAFT ON EACH SIDE OF ROADSIDE BRACKET AND SPREAD LEGS OF COTTER PIN. TEMPORARILY INSTALL TORQUE CLAMP TO CENTER BRACKET.

- STEP #4** CLAMP DOOR UP IN HORIZONTAL TRACK WITH BOTTOM EDGE OF DOOR ABOUT 16" BACK FROM HEADER. UNCOIL CABLES ATTACHED TO DOOR. ENTER LOOSE END OF ONE CABLE INTO SLOT IN OPEN END OF CABLE DRUM. KINK CABLE SHARPLY TO FOLLOW FIRST GROOVE IN DRUM. MAINTAIN ENOUGH TENSION ON CABLE TO FOLLOW INTO CABLE GROOVES SNUGLY AS YOU WIND THE ENTIRE SPRING ASSEMBLY SO THAT CABLE WINDS ON DRUM FROM UNDER SIDE. WITH ALL THE LOOSE CABLE TAKEN UP ON ONE DRUM, CONTINUE TO ROTATE SPRING ANCHOR BY HAND TO PUT SOME TENSION ON CABLE. SLIDE SPRING ASSEMBLY ALONG SHAFT UNTIL CABLE COMING OFF BOTTOM OF DRUM IS IN LINE WITH CABLE ANCHOR ON DOOR. TIGHTEN SET SCREWS. REPEAT THIS OPERATION FOR OTHER END OF BALANCER.

- STEP #5** TO CHARGE SPRINGS, USE (2) RODS 3/8" DIA., 10" LONG. INSERT ONE ROD IN ONE OF THE SPRING PLUGS AND PULL DOWNWARD TO HOLD TORQUE. REMOVE TORQUE CLAMP FROM CENTER BRACKET. WIND ENTIRE BALANCER DOWNWARD. USING (2) RODS WALK SPRING PLUGS AND SHAFT AROUND (4) FULL TURNS HAVE BEEN APPLIED TO SHAFT. WHILE HOLDING TORQUE WITH ROD REPLACE TORQUE CLAMP IN CENTER BRACKET AND SECURE WITH HEX NUTS. UNCLAMP DOOR AND TRY FOR BALANCE. IF FURTHER ADJUSTMENT IS NECESSARY, FOLLOW ABOVE INSTRUCTIONS.
- NOTE: IT IS ALSO POSSIBLE TO CHARGE THE BALANCER USING 13/16" OPEN END WRENCHES ON SQUARE CENTER PORTION OF THE SHAFT.



"L" SHAFT LENGTH	"Y" SHAFT LENGTH -1-1/4	"X" 1/2 "X" DIM.	"A" CABLE ANCHOR ON DOOR
98	96-3/4	48-3/8	SEE: A-16161
96	94-3/4	47-3/8	
93	91-3/4	45-7/8	
90	88-3/4	44-3/8	
87	85-3/4	42-7/8	
84	82-3/4	41-3/8	
82	80-3/4	40-3/8	
80	78-3/4	39-3/8	
78	76-3/4	38-3/8	
72	70-3/4	35-3/8	
66	64-3/4	32-3/8	
61	59-3/4	29-7/8	

DATE	BY	DESCRIPTION OF CHANGE	APP'D	CHK'D
4/15/70	D	1-1/8 REF DIM. & REF. AT-1880 ADDED		M.S. AF
3/29/77	C	CORRECTED ROD SIZE IN STEP #5		M.S. MCL
5/14/68	B	ADDED NOTE TO CHART "X"		M.S. MCL
4/13/81	A	REDRAWN TO CAD		J.M.V.

REVISIONS			
TELEPHONE (EXCEPT AS NOTED)			
DESKNO.	WHITING DOOR MANUFACTURING CORP. GENERAL OFFICE: 113 CEDAR ST. ARLING, WY. 14001 DEVELOPER OF THE FIRST PRACTICAL ROLL-UP DOOR IN 1935		
+-	SCALE 1/2"	APP'D BY	CHK'D BY G.L.
FRCTION	#2376 (2) CABLE BALANCER INSTALLATION INSTRUCTIONS		
+-	DATE 4/15/76	DWG. NO. D - 2587	REV. D