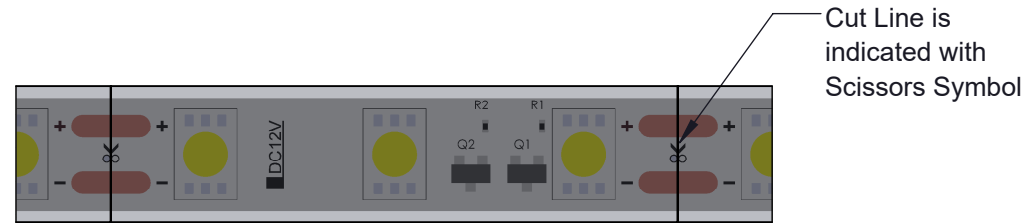


INSTRUCTIONS FOR TRIMMING AND INSTALLING PATHFINDER LIGHTS

IN-2001
05-MAR-2020

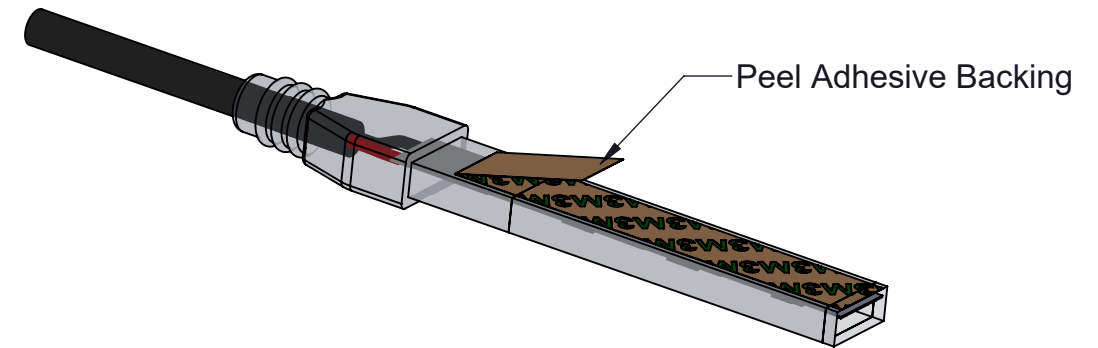
STEP 1:

Cut the pathfinder along the cut line at the desired length. Dispose of the excess material.



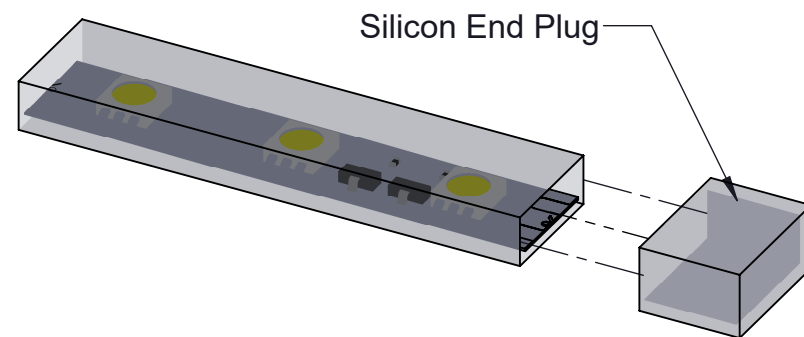
STEP 4:

Peel some of the adhesive away from the wired end of the pathfinder light.



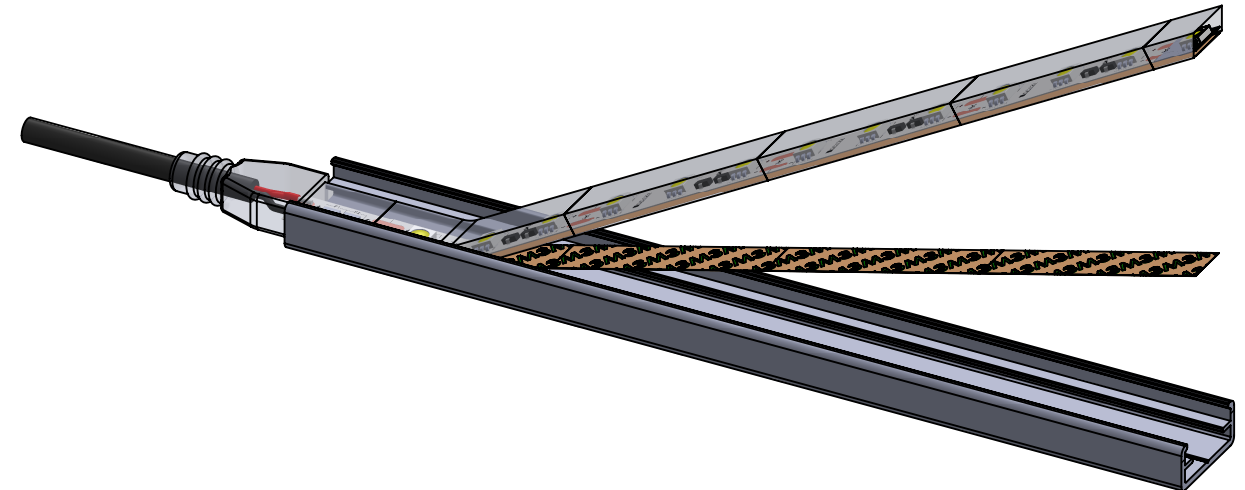
STEP 2:

Seal the cut end using epoxy and the provided end plug.



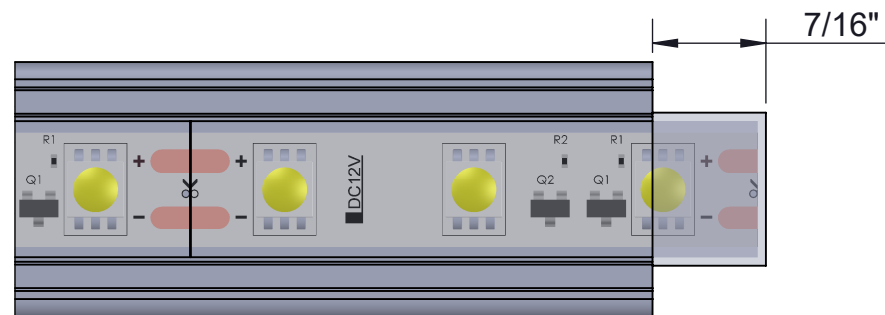
STEP 5:

Place the pathfinder ribbon into the aluminum bracket, with the silicon endcap flush against the edge of the extrusion



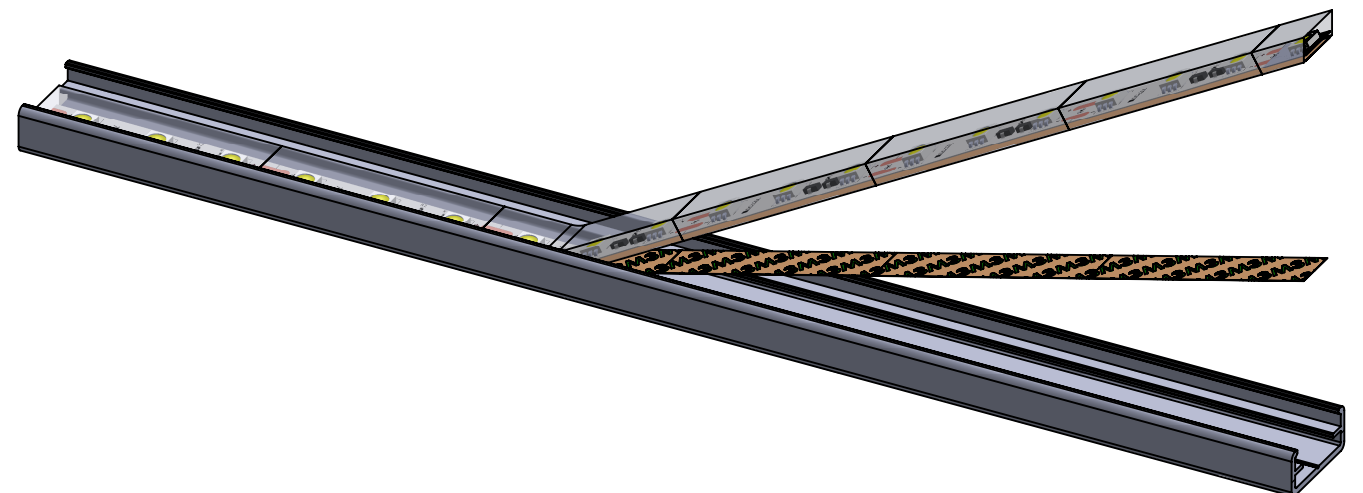
STEP 3:

Trim the aluminum extrusion to be 7/16" shorter than the end of the pathfinder light.



STEP 6:

Unroll the pathfinder light into the aluminum bracket, pulling the adhesive backing as you go

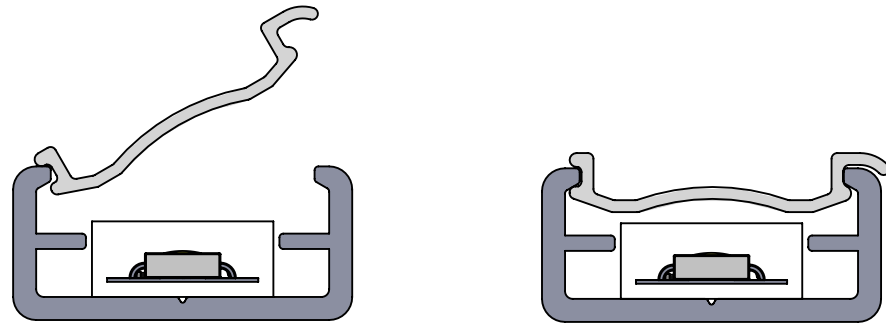


NOTE: More than one aluminum bracket and lens extrusion will be required for orders where the desired length is greater than 100".

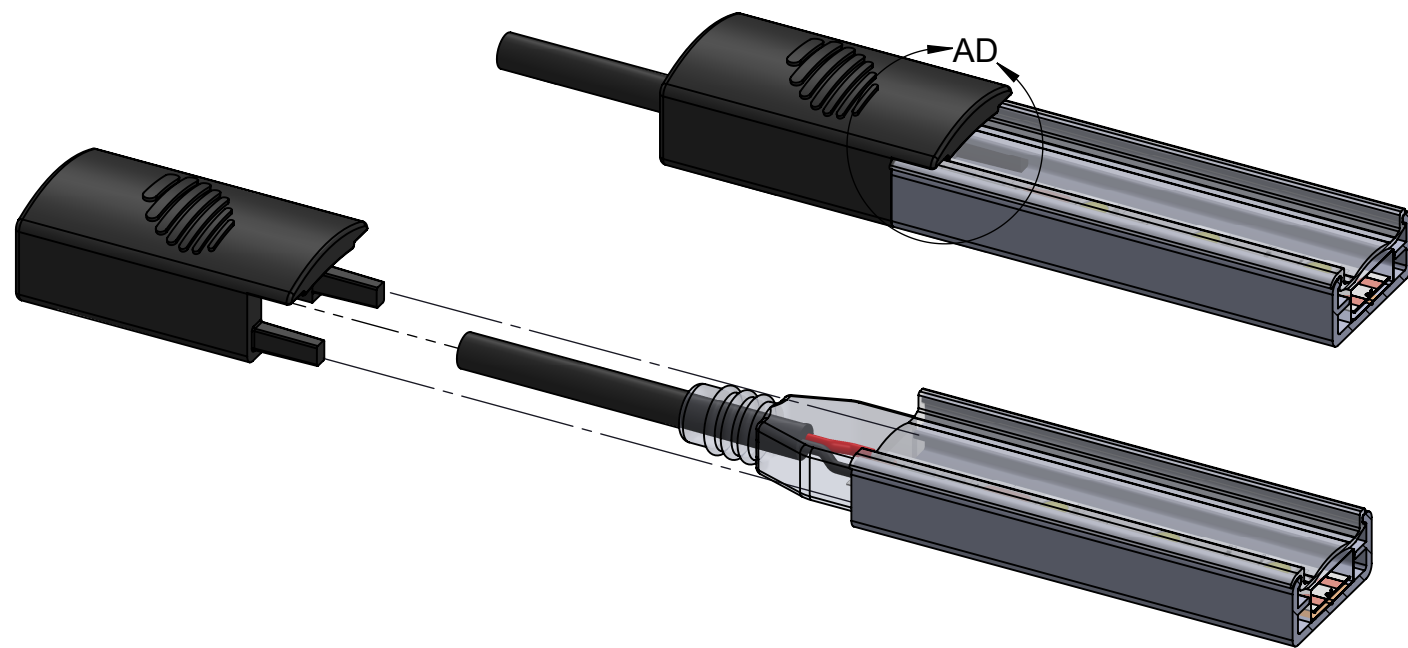
INSTRUCTIONS FOR TRIMMING AND INSTALLING PATHFINDER LIGHTS

IN-2001
05-MAR-2020

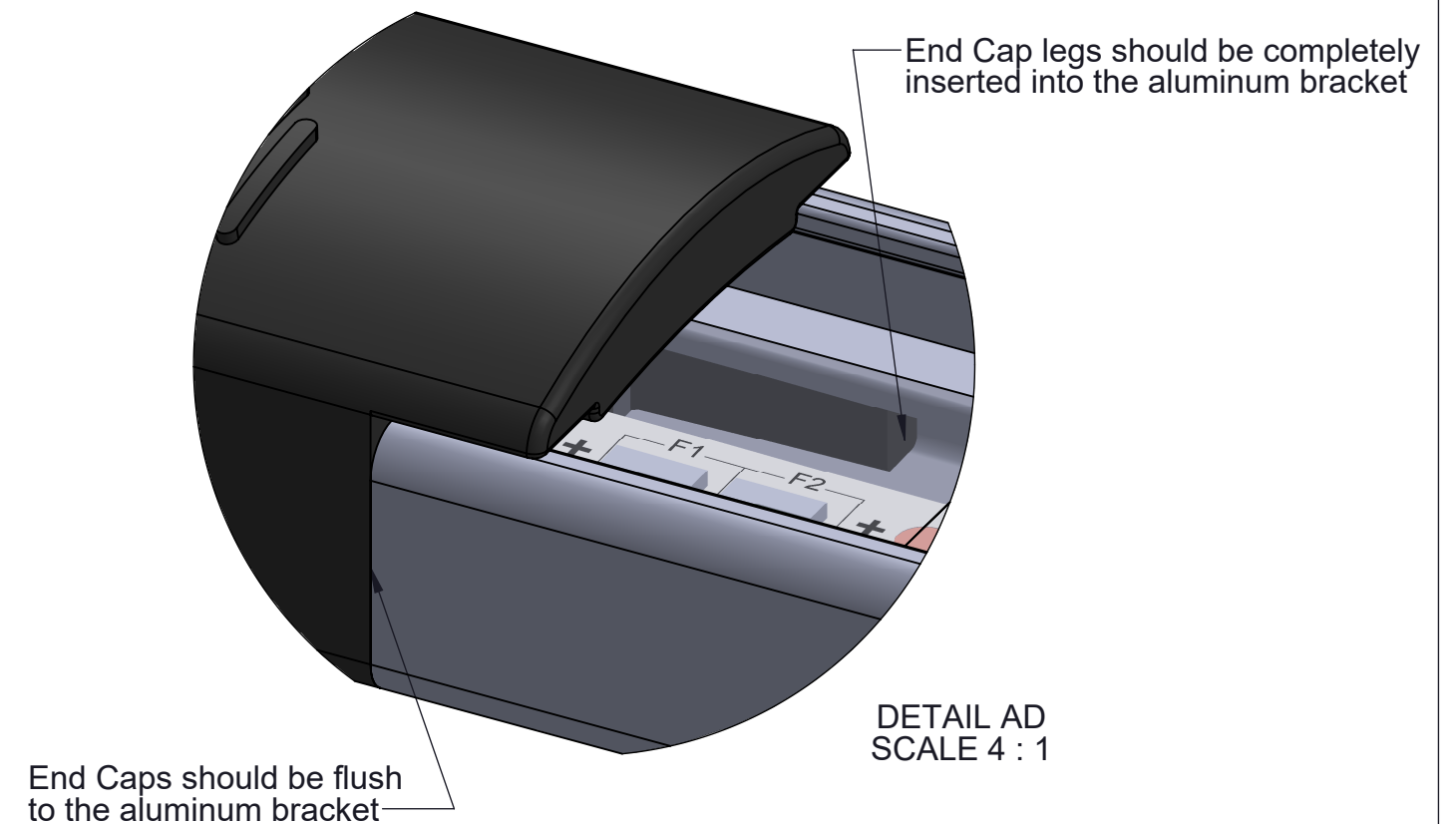
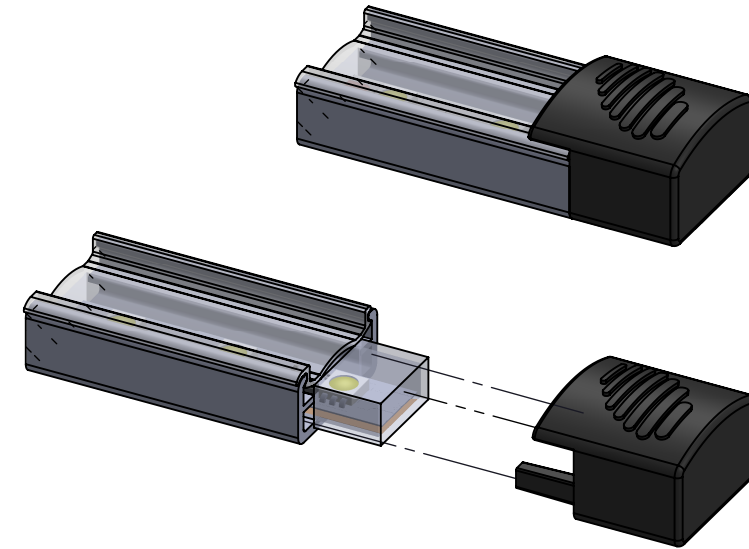
STEP 7:
Snap the lens onto the aluminum extrusion



STEP 8:
Slide the endcap from the end and gently tap with a rubber mallet until the endcap is flush with the aluminum bracket.



STEP 9:
Slide the opposite end cap from the end and gently tap with a rubber mallet until the endcap is flush with the aluminum bracket.



DETAIL AD
SCALE 4 : 1