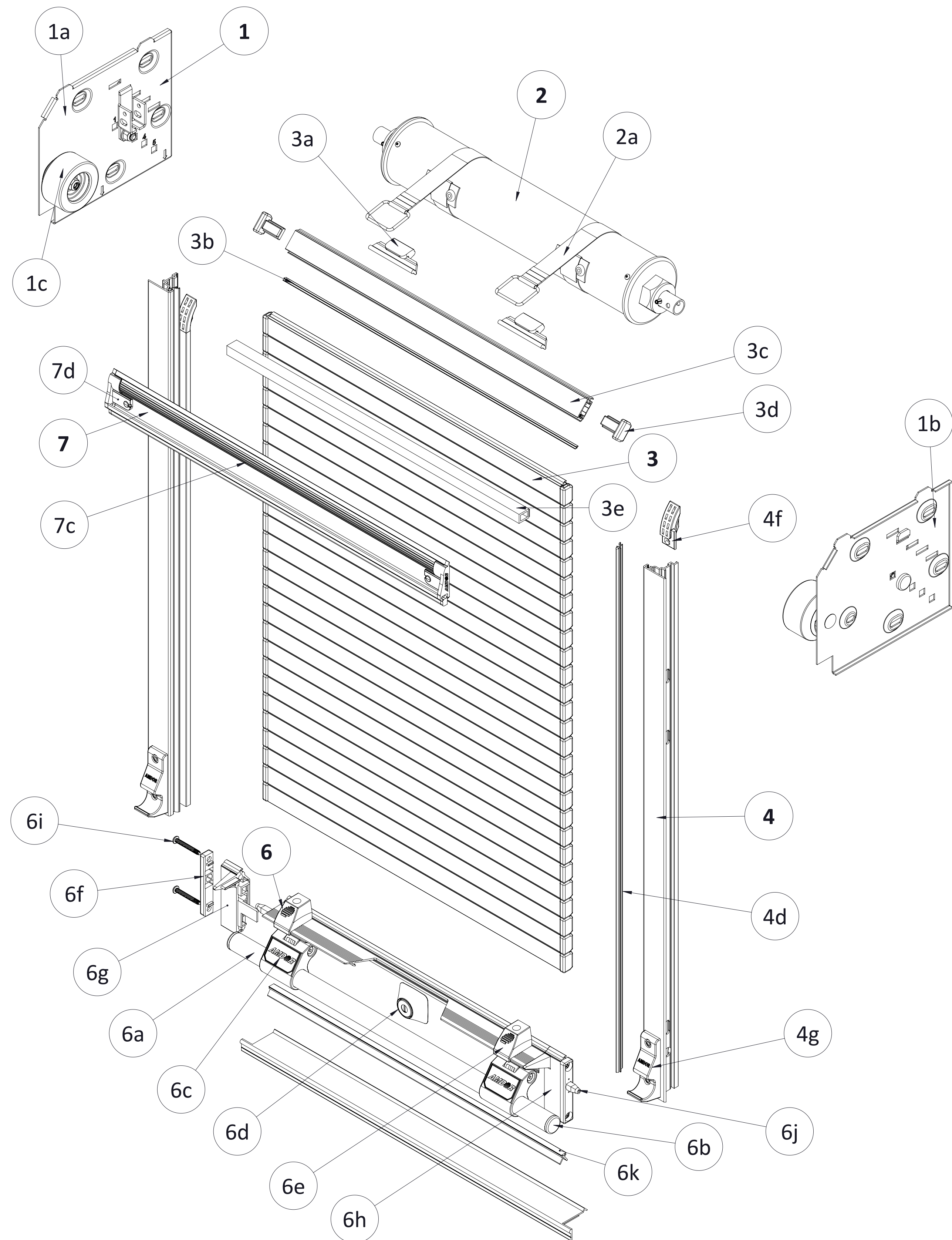


PARTS & COMPONENTS

www.amdor.com / 1-877-462-6367 / info@amdor.com



1. Mounting Plate Assembly

- a) AY-1770-LH Left Mounting Plate Assembly
- b) AY-1771-RH Right Mounting Plate Assembly
- c) AY-3725 Complete Idler Wheel Assembly
- AY-1800 Complete Idler Tube Assembly

2. Complete Balancer Assembly (AY-1356-OXX)

- a) AY-5212-12 Balancer Mounting Strap with D-ring
- AY-1957-012 Complete Balancer Strap Kit
- FS-8418 Rivets for Balancer Mounting Strap

3. Door Curtain Assembly

- a) PL-3362 Strap Connector
- b) RB-4103 Slat Seal
- c) AY-1101 Slat Assembly
- d) PL-3102 Standard White Slat Shoe
- PL-3110 LH Black Extended Slat Shoe (ESS)
- PL-3111 RH Black Extended Slat Shoe (ESS)
- e) RB-4615 Top Land Seal
- f) RB-4611 Foam Tape - Interior Application

4. Side Frame Assembly

- a) SA-2512 Recessed Side Frame
- b) SA-2513 Standard Side Frame
- c) SA-2515 Wide Flange Side Frame
- d) RB-4513 Standard Grey Side Seal
- e) RB-4514 ESS Black Side Seal
- f) AY-3360 Side Frame Top Relief Assembly
- g) AY-2011-000 1" Striker Kit
- AY-2012-000 3/4" Striker Kit

5. Sill Plates

- a) SA-2540 Standard Sill Plate
- b) SA-2541 Raised Stop Sill Plate
- c) SA-2542 Narrow Sill Plate

6. Bottom Panel Assembly (AY-1424-OXX)

- a) AY-1425-OXX Lift Bar Assembly
- b) PL-3419 Lift Bar End Plug
- AY-1499-000 Hinge Assembly
- c) AY-1500-000 Hinge Assembly with Amdor Name Plate
- d) Key Locking Cylinder 1250=KL-9846 T001=KL-9847 CH751=KL-9849 J236=KL-9850
- e) RB-9432 Rubber Bumper with Anti-Rotation Tab
- f) PL-0031-A Bottom Panel End Cap Cover
- g) PL-0031-B LH Bottom Panel End Cap
- h) PL-0031-C RH Bottom Panel End Cap
- i) FS-3355 Screw to secure Bottom Panel End Caps (Two per side)
- AM-3330-LH LH Lock Pin
- j) AM-3330-RH RH Lock Pin
- k) RB-4210 Bottom Panel Door Seal

7. Top Gutter Assembly - 2" or 6" Options

- a) SA-2520 2" Top Gutter
- b) SA-2530 6" Top Gutter
- c) RB-4702 Top Gutter Trim Strip
- d) AY-0036 2" Top Gutter End Plug Kit
- AY-0032 6" Top Gutter End Plug Kit
- e) RB-4701 Top Gutter Seal

Door Ajar Switches

Mechanical DAS

- AY-1925-012 1" Striker with 12" Leads
- AY-1925-078 1" Striker with 78" Leads
- AY-1935-012 3/4" Striker with 12" Leads
- AY-1935-078 3/4" Striker with 78" Leads

Magnetic DAS

- AY-5010 MDAS Mounting Bracket Assembly
- AY-5110 12V Positive Magnetic Door Ajar Switch
- AY-5210 12V Negative Magnetic Door Ajar Switch
- AY-5310 24V Positive Magnetic Door Ajar Switch
- AY-5410 24V Negative Magnetic Door Ajar Switch
- AY-5001-M Red Slat Shoe with Magnet
- AY-6001-M Red Bottom Panel Endcap with Magnet
- AY-3112 LH Black ESS with Magnet
- AY-3113 RH Black ESS with Magnet

Pull-Down Straps

Flex HD

- AY-9355-18 18" Flex HD Pull-Down Strap
- AY-9355-24 24" Flex HD Pull-Down Strap
- AY-9355-36 36" Flex HD Pull-Down Strap
- AY-9355-48 48" Flex HD Pull-Down Strap

Nylon

- AY-9350-12 12" Nylon Pull-Down Strap
- AY-9350-18 18" Nylon Pull-Down Strap

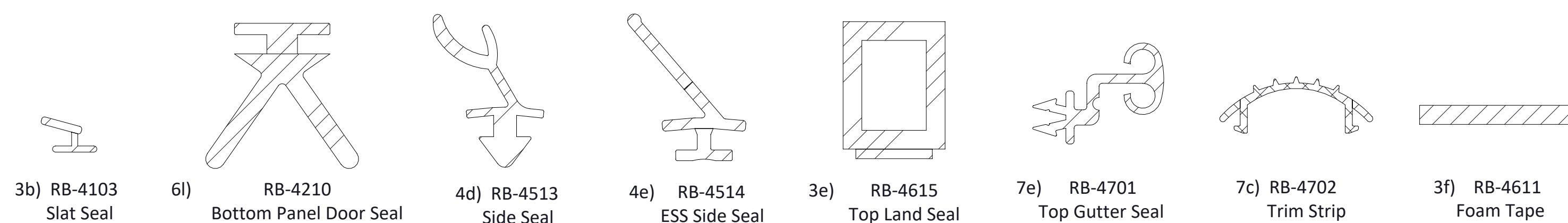
AMLOK Remote Door Lock

- AY-EL-AMLOK-1 AMLOK Assembly for <36" Opening Width Doors
- AY-EL-AMLOK-2 AMLOK Assembly for ≥36" Opening Width Doors
- EL-0015 AMLOK Controller with Wire Harness
- AMLOK-R AMLOK Controller Wireless Remote

DripShield

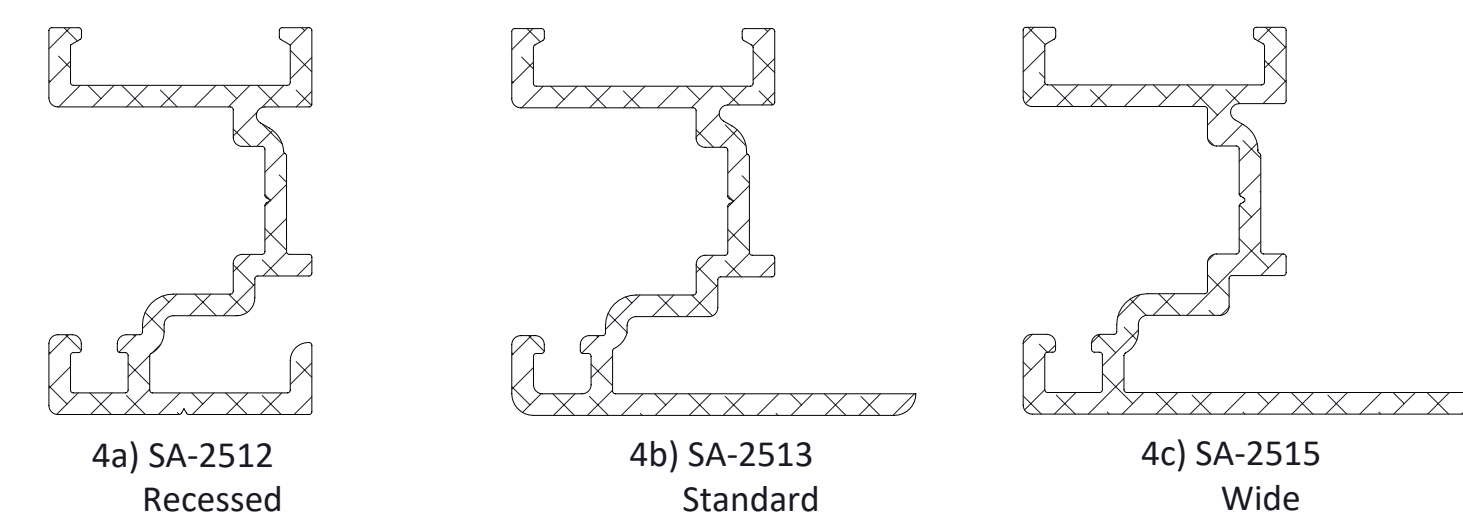
- DT-2000 Drip Shield Assembly without Drain
- DT-2010 DripShield Assembly with Drain Accessories
- AY-3005-L LH DripShield Mounting Bracket
- AY-3005-R RH DripShield Mounting Bracket
- ST-5001 LH DripShield Mounting Plate
- ST-5002 RH DripShield Mounting Plate

SEALS



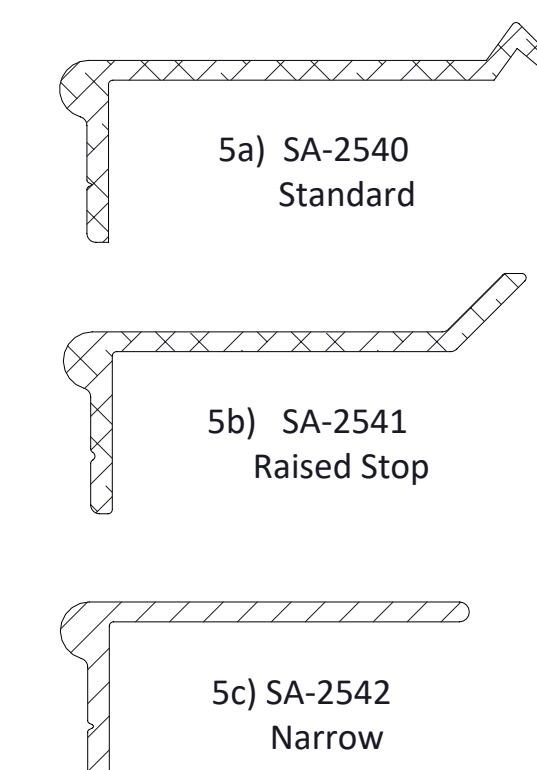
3b) RB-4103 Slat Seal 6l) RB-4210 Bottom Panel Door Seal 4d) RB-4513 Side Seal 4e) RB-4514 ESS Side Seal 3e) RB-4615 Top Land Seal 7e) RB-4701 Top Gutter Seal 7c) RB-4702 Trim Strip 3f) RB-4611 Foam Tape

SIDE FRAMES



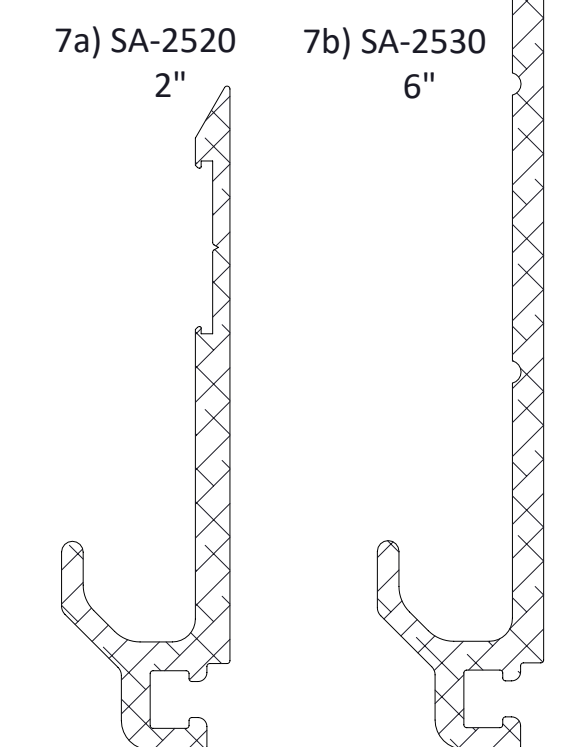
4a) SA-2512 Recessed 4b) SA-2513 Standard 4c) SA-2515 Wide

SILL PLATES



5a) SA-2540 Standard 5b) SA-2541 Raised Stop 5c) SA-2542 Narrow

TOP GUTTERS



7a) SA-2520 2" 7b) SA-2530 6"